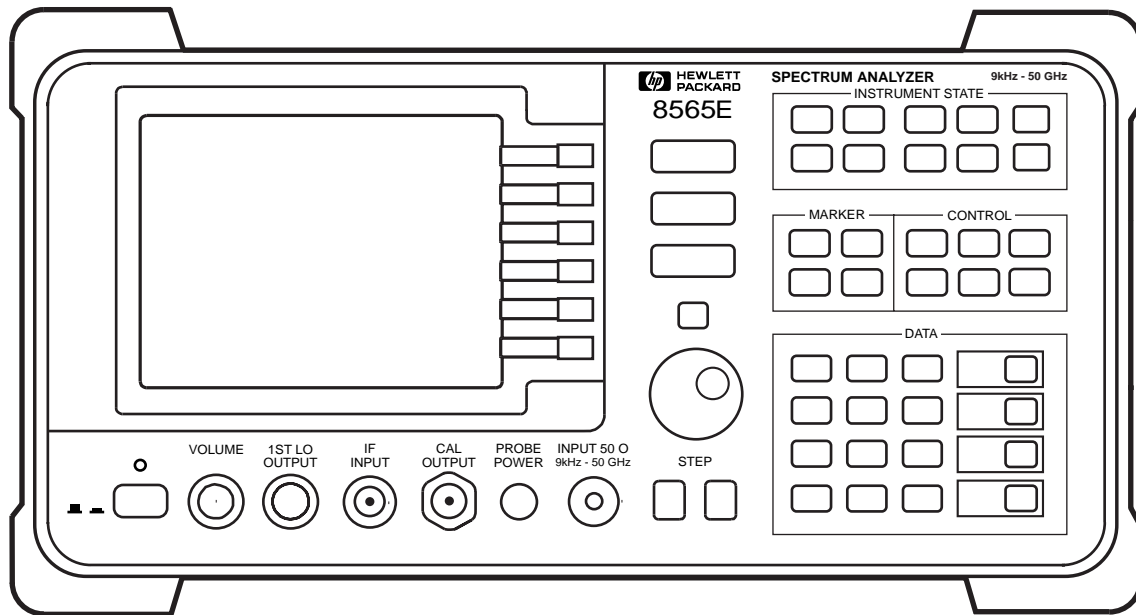


HP 8560 E-Series Spectrum Analyzers

Technical Specifications

HP 8560E 30 Hz to 2.9 GHz
HP 8561E 30 Hz to 6.5 GHz
HP 8562E 30 Hz to 13.2 GHz
HP 8563E 30 Hz to 26.5 GHz
HP 8564E 30 Hz to 40 GHz
HP 8565E 30 Hz to 50 GHz



Unless noted, all specifications describe the instrument's warranted performance under the following conditions: 5-minute warm-up from ambient conditions, autocoupled controls, digital display, IF ADJ ON, REF LVL CAL adjusted, SECOND IF OUTPUT and 1ST LO OUTPUT terminated in 50 Ω . After a 30-minute warm-up, and over a temperature range of 20°C to 30°C, the preselector does not have to be peaked at each signal of interest; under these conditions factory preselector peak values are sufficient to meet all specifications. Typical performance is non-warranted. Supplemental characteristics are denoted by "nominal" and "approximately"; these constitute non-warranted functional performance information derived during the design process and are not tested on a continuing basis.

Frequency Specifications, HP 8560 E-Series

Frequency Range

	8560E	8561E	8562E	8563E	8564E	8565E
Internal Mixing	30 Hz** to 2.9 GHz	30 Hz** to 6.5 GHz	30 Hz** to 13.2 GHz	30 Hz* to 26.5 GHz	30 Hz* to 40 GHz	30 Hz* to 50 GHz
External Mixing	18 GHz to 325 GHz	18 GHz to 325 GHz	18 GHz to 325 GHz	18 GHz to 325 GHz	18 GHz to 325 GHz	18 GHz to 325 GHz

* HP 8563E, 8564E, 8565E require Option 006 for operation below 9 kHz.

** HP 8560E, 8561E, 8562E minimum frequency in AC coupled mode is 100 kHz. In DC coupled mode minimum frequency is 30 Hz.

Frequency Band	Harmonic Mixing Mode (N)
30 Hz to 2.9 GHz	1
2.75 GHz to 6.46 GHz	1
5.86 GHz to 13.2 GHz	2
12.4 GHz to 26.8 GHz	4
26.4 GHz to 31.15 GHz	4
31.0 GHz to 50 GHz	8

Frequency Reference

		Opt 103
Temperature Stability*	$\pm 1 \times 10^{-8}$	$\pm 1 \times 10^{-6}$
Aging (per year) (per day nom.)	$\pm 1 \times 10^{-7}$ $\pm 5 \times 10^{-10}$ **	$\pm 2 \times 10^{-6}$
Initial Achievable Accuracy	$\pm 2.2 \times 10^{-8}$	$\pm 1 \times 10^{-6}$
Short-term warmup accuracy factors (nominal)		
5 minute	$\pm 1 \times 10^{-7}$	
15 minute	$\pm 1 \times 10^{-8}$	

* -10°C to $+55^{\circ}\text{C}$, referenced to 25°C

** after 7 day warmup

Frequency Readout Accuracy

(Start, Stop, Center and Marker frequency functions)

Span > 2 MHz x N*	$\pm(\text{freq readout} \times \text{freq ref accuracy}^{**} + 5\% \times \text{span} + 15\% \times \text{RBW} + 10 \text{ Hz})$
Span \leq 2 MHz x N*	$\pm(\text{freq readout} \times \text{freq ref accuracy}^{**} + 1\% \times \text{span} + 15\% \times \text{RBW} + 10 \text{ Hz})$

* N = harmonic mixing mode number

** Frequency reference accuracy = aging x time since last adjustment + initial achievable accuracy + temperature stability

Frequency Counter Accuracy

Marker Count Accuracy (S/N \geq 25 dB)	$\pm(\text{marker freq} \times \text{freq ref accuracy}^* + 2 \text{ Hz} \times \text{N}^{***})$ +1 LSD of counter)
Accuracy at 1 GHz (25°C , 1 yr aging, marker resolution = 1 Hz)	$\pm 225 \text{ Hz}$ (5 minute warmup)** $\pm 135 \text{ Hz}$ (15 minute warmup)** $\pm 3003 \text{ Hz}$ (Option 103)
Delta Count Accuracy (S/N \geq 25 dB)	$\pm(\text{delta freq} \times \text{freq ref accuracy}^* + 4 \text{ Hz} \times \text{N}^{***})$ +2 LSD)
Counter Resolution	Selectable from 1 Hz to 1 MHz

* Frequency reference accuracy = aging x time since last adjustment + initial achievable accuracy + temperature stability

** Short term warmup accuracy factors have been included in this calculation.

*** N = harmonic mixing mode number.

Frequency Span

Range	0, 100 Hz to full span (100 Hz x N* when using external mixers)
Accuracy	
Span > 2 MHz x N*	$\pm 5\%$
Span \leq 2 MHz x N*	$\pm 1\%$

* N = harmonic mixing mode number

** Frequency reference accuracy = aging x time since last adjustment + initial achievable accuracy + temperature stability

Frequency Specifications, cont'd

Sweep Time

Range

Span = 0 Hz	50 μ s to 6000 s
Span \pm 100 Hz	
RBW \geq 300 Hz	50 ms to 2000 s
RBW \leq 100 Hz	50 ms to 100 ks

Accuracy (Span = 0 Hz)

Sweep time \geq 30 ms	\pm 1% (digitized trace data)
Sweep time < 30 ms (non-Option 007)	\pm 10% (analog trace data)
Sweep time < 30 ms (Option 007*)	\pm 0.1% (digitized trace data)
Sweep Trigger	delayed, free run, single, line, video, external

* Option 007 extends digitized trace data capability to sweep times < 30 ms.

Resolution Bandwidth

Range (–3 dB)	1 Hz to 1 MHz in a 1, 3, 10 sequence and 2 MHz (3 MHz at –6 dB)	
Option 103	10 Hz to 1 MHz in a 1, 3, 10 sequence and 2 MHz (3 MHz at –6 dB)	
Accuracy	1 Hz to 300 kHz	\pm 10%
	1 MHz	\pm 25%
	2 MHz	+50%, –25%

Selectivity (–60 dB/–3 dB BW ratio)

RBW \geq 300 Hz	< 15:1
RBW \leq 100 Hz	< 5:1

Video Bandwidth Range 1 Hz to 3 MHz in a 1, 3, 10 sequence

Noise Sidebands (see figure 1)

Center Frequency \leq 1 GHz

Offset		Opt 103
100 Hz	\leq 88 dBc/Hz*	\leq 70 dBc/Hz*
1 kHz	\leq 97 dBc/Hz*	\leq 90 dBc/Hz*
10 kHz#	\leq 113 dBc/Hz**	\leq 113 dBc/Hz**
30 kHz###	\leq 113 dBc/Hz***	\leq 113 dBc/Hz***
100 kHz##	\leq 117 dBc/Hz****	\leq 117 dBc/Hz****

* Add 5.2 x ((f/1 GHz)–1) for f > 1 GHz and f \leq 2.9 GHz

** Add 2.5 x ((f/1 GHz)–1) for f > 1 GHz and f \leq 2.9 GHz

*** Add 3.0 dB x ((f/1 GHz)–1) for f > 1 GHz and f \leq 2.9 GHz

**** Add 2 dB for f > 1 GHz and f \leq 2.9 GHz

RBW \leq 1k or Span \leq 745 kHz

RBW \geq 3k or Span > 745 kHz

Not specified at 30 kHz offset for HP 8564E and HP 8565E

Residual FM

(zero span, 10 Hz RBW)	< 1 Hz pk-pk x N* in 20 ms
	< 0.25 Hz pk-pk x N* in 20 ms (typical)
Option 103	< 10 Hz pk-pk x N* in 20 ms

* N = harmonic mixing mode number

** Frequency reference accuracy = aging x time since last adjustment + initial achievable accuracy + temperature stability

Amplitude Specifications, HP 8560 E-Series

Range Displayed Average Noise Level to +30 dBm

Maximum Safe Input Level

Average Continuous Power +30 dBm (1 W, input attn \geq 10 dB)
Peak Pulse Power +50 dBm (100 W, input attn \geq 30 dB)
 (\leq 10 μ s pulse width, $<$ 1% duty cycle)

Maximum DC Input Voltage

DC coupled \pm 0.2 Vdc
 AC coupled \pm 50 Vdc

Displayed Average Noise Level (DANL) (see figure 2)
 (0 dB attenuation, 1 Hz resolution bandwidth*)

	8560E	8561E	8562E	8563E	8564E, 8565E
30 Hz**	\leq 90 dBm	\leq 90 dBm	\leq 90 dBm	\leq 90 dBm	\leq 90 dBm
1 kHz**	\leq 105 dBm	\leq 105 dBm	\leq 105 dBm	\leq 105 dBm	\leq 105 dBm
10 kHz	\leq 120 dBm	\leq 120 dBm	\leq 120 dBm	\leq 120 dBm	\leq 120 dBm
100 kHz	\leq 120 dBm	\leq 120 dBm	\leq 120 dBm	\leq 120 dBm	\leq 120 dBm
1 MHz to 10 MHz	\leq 140 dBm	\leq 140 dBm	\leq 140 dBm	\leq 140 dBm	\leq 140 dBm
10 MHz to 2.9 GHz	\leq 151 dBm	\leq 145 dBm	\leq 151 dBm	\leq 151 dBm	\leq 145 dBm
2.9 GHz to 6.46 GHz		\leq 145 dBm	\leq 148 dBm	\leq 148 dBm	\leq 147 dBm
6.46 GHz to 13.2 GHz			\leq 145 dBm	\leq 145 dBm	\leq 143 dBm
13.2 GHz to 22.0 GHz				\leq 140 dBm	\leq 140 dBm
22.0 GHz to 26.8 GHz				\leq 139 dBm	\leq 136 dBm
26.8 GHz to 31.15 GHz					\leq 139 dBm
31.15 GHz to 40 GHz					\leq 130 dBm
40 GHz to 50 GHz					\leq 127 dBm

* For Option 103, degrade DANL by 10 dB

** HP 8563E, 8564E, 8565E require Option 006 for operation below 9 kHz

1 dB Gain Compression

Maximum power at mixer = input power (dBm) – input attenuation (dB)

10 MHz to 2.9 GHz -5 dBm
 2.9 GHz to 6.46 GHz $+0$ dBm*
 6.46 GHz to 26.8 GHz -3 dBm
 26.8 GHz to 50 GHz $+0$ dBm (nominal)

* HP 8561E: -3 dBm

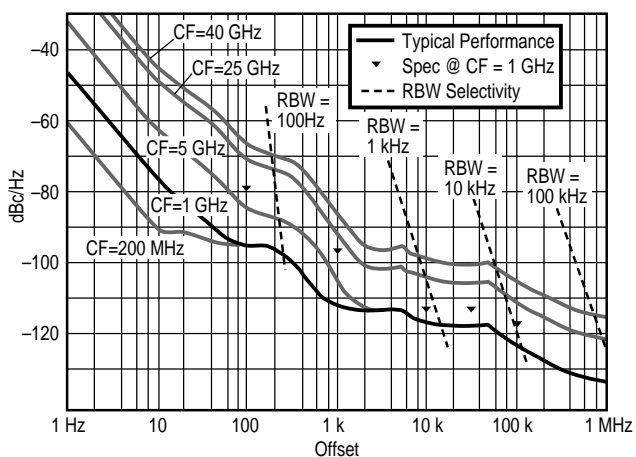


Fig 1. Noise sidebands normalized to 1 Hz BW versus offset from carrier.

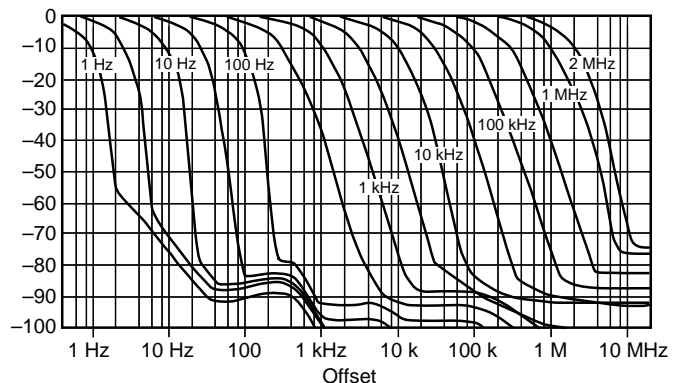


Fig 2. Typical on-screen dynamic range vs offset from 1 GHz center frequency for all RBWs (mixer level = -10 dBm).

Amplitude Specifications, cont'd

Dynamic Range (see figure 3)

Compression to Noise*

	8560E	8561E	8562E	8563E	8564E, 8565E
10 MHz to 2.9 GHz	> 146 dB	> 140 dB	> 146 dB	> 144 dB	> 145 dB
2.9 GHz to 6.46 GHz		> 142 dB	> 148 dB	> 148 dB	> 147 dB
6.46 GHz to 13.2 GHz			> 142 dB	> 142 dB	> 140 dB
13.2 GHz to 22.0 GHz				> 137 dB	> 137 dB
22.0 GHz to 26.8 GHz				> 136 dB	> 133 dB
26.8 GHz to 31.15 GHz					> 139 dB
31.15 GHz to 40 GHz					> 130 dB
40 GHz to 50 GHz					> 127 dB

* (1dB compression - DANL) For Option 103, degrade compression to noise dynamic range by 10 dB

Signal to Distortion

Harmonic*

	8560E	8561E	8562E	8563E	8564E, 8565E
20 MHz to 1.45 GHz	> 95 dB	> 88.5 dB	> 95 dB	> 94dB	> 92 dB
1.45 GHz to 2 GHz		> 98.5 dB	> 111.5 dB	> 111.5 dB	> 111 dB
2 GHz to 3.25 GHz		> 119 dB	> 119 dB	> 119 dB	> 113.5 dB
3.25 GHz to 6.6 GHz			> 117.5 dB	> 117.5 dB	> 111.5 dB
6.6 GHz to 11 GHz				> 115 dB	> 110 dB
11 GHz to 13.4 GHz				> 114.5 dB	> 108 dB
13.4 GHz to 15.6 GHz					> 109.5 dB
15.6 GHz to 20 GHz					> 105 dB
20 GHz to 25 GHz					> 103.5 dB

* 0.5 x (SHI - DANL at 2 x input frequency) For Option 103, degrade harmonic (SHI) dynamic range by 5 dB

Intermodulation*

	8560E	8561E	8562E	8563E	8564E, 8565E
10 MHz to 2.9 GHz	> 108 dB	> 103 dB	> 108 dB	> 107 dB	> 104dB
2.9 GHz to 6.46 GHz		> 107 dB	> 108.5 dB	> 108.5 dB	> 108 dB
6.46 GHz to 13.2 GHz			> 101.5 dB	> 101.5 dB	> 100 dB
13.2 GHz to 22.0 GHz				> 98 dB	> 98 dB
22.0 GHz to 26.8 GHz				> 97.5 dB	> 95.5 dB
26.8 GHz to 31.15 GHz					> 101 dB (nominal)
31.15 GHz to 40 GHz					> 95 dB (nominal)
40 GHz to 50 GHz					> 93 dB (nominal)

* 0.67 x (TOI - DANL) For Option 103, degrade intermodulation (TOI) dynamic range by 6.67 dB

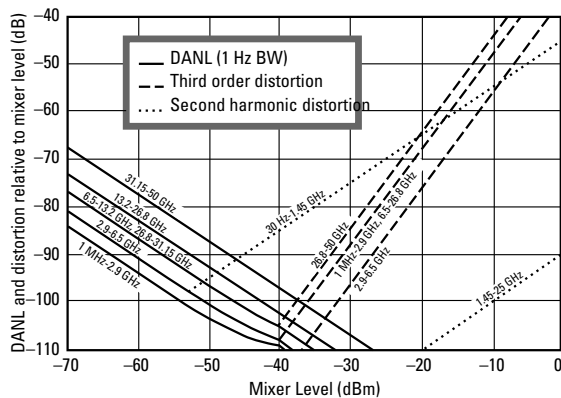


Fig 3. HP 8560E family nominal dynamic range

Amplitude Specifications, cont'd

Spurious Responses

General Spurious Responses

(Mixer level -40 dBm) $< (-75 + 20 \times \log N)$ dBc

Second Harmonic Distortion

Input Signal	Mixer Level	Distortion	SHI
20 MHz to 1.45 GHz	-40 dBm	≤ 79 dBc*	+39 dBm*
1.45 GHz to 2 GHz	-10 dBm**	≤ 85 dBc**	+75 dBm**
2 GHz to 13.25 GHz			
HP 8562E, 8563E	-10 dBm	≤ 100 dBc	+90 dBm
HP 8564E, 8565E	-10 dBm	≤ 90 dBc	+80 dBm
13.25 GHz to 25 GHz	-10 dBm	≤ 90 dBc	+80 dBm

* HP 8561E: distortion -72 dBc, SHI +32dBm

** HP 8561E: mixer level -20 dBm, distortion -72 dBc, SHI +52 dBm

Third Order Intermodulation Distortion

(Two -30 dBm signals, ≥ 1 kHz apart)

	Mixer Level	Distortion	TOI
20 MHz to 2.9 GHz	-30 dBm each	≤ 82 dBc*	+11 dBm
2.9 GHz to 6.46 GHz	-30 dBm each	≤ 90 dBc	+15 dBm
6.46 GHz to 26.8 GHz	-30 dBm each	≤ 75 dBc	+7.5 dBm
26.8 GHz to 50 GHz	-30 dBm each	≤ 85 dBc (nominal)	+12.5 dBm (nominal)

* HP 8561E -78 dB distortion with two -30 dBm signals, 9 dBm TOI

Image Responses

	Mixer Level	
10 MHz to 26.8 GHz	-10 dBm	-80 dBc
26.8 GHz to 50 GHz	-30 dBm	-60 dBc

Multiple and Out-of-band Responses

	Mixer Level	
10 MHz to 26.8 GHz	-10 dBm	-80 dBc
26.8 GHz to 50 GHz	-30 dBm	-55 dBc

Residual Responses

≤ 90 dBm, for the range from 200 kHz to 6.46 GHz, no input signal, 0 dB input attenuation

Display Range

Viewing Area	approximately 7 cm (V) x 9 cm (H)
Scale Calibration	10 x 10 divisions
Log Scale	10, 5, 2, 1 dB per division
Linear Scale	10% of reference level per division

Scale Fidelity

	Incremental	Maximum
Log Range	0 to -90 dB	0 to -90 dB
RBW ≥ 300 Hz	± 0.1 dB/dB	± 0.85 dB
RBW ≤ 100 Hz	± 0.2 dB/2dB	± 0.85 dB*
Linear Range	$\pm 3\%$ of reference level	

* maximum for 0 to -100 dB is ± 1.5 dB

Amplitude Specifications, cont'd

Reference Level Range

Log, adjustable in 0.1 dB steps

30 Hz to 31.15 GHz	-120 to +30 dBm
31.15 GHz to 50 GHz	-115 to +30 dBm

Linear, adjustable in 1% steps

30 Hz to 31.15 GHz	2.2 μ V to 7.07 V
31.15 GHz to 50 GHz	3.98 μ V to 7.07 V

Frequency Response in dB, 10 dB input attenuation, dc coupled
relative / typical relative / absolute** / typical absolute***

	8560E	8561E	8562E	8563E	8564E, 8565E
100 MHz to 2 GHz	0.7/0.7/--/--		0.9/0.8/--/--	1.0/0.8/--/--	0.9/0.8/--/--
30 Hz* to 2.9 GHz	1/0.8/1.5/1.0	1.0/0.7/1.75/1.0	1.25/0.8/1.8/1.0	1.25/0.8/1.8/1.0	1.0/0.8/1.5/1.0
2.9 GHz to 6.46 GHz		1.5/1.1/2.5/1.5	1.5/1.1/2.5/1.5	1.5/1.0/2.4/1.5	1.7/1.4/2.6/1.8
6.46 to 13.2 GHz			2.2/1.5/2.9/2.0	2.2/1.5/2.9/2.0	2.6/2.2/3.0/2.8
13.2 to 22 GHz				2.5/1.5/4.0/2.5	2.5/2.5/4.0/3.5
22 to 26.8 GHz				3.3/2.2/4.0/2.5	3.3/2.2/4.5/4.0
26.8 to 31.15 GHz					3.1/2.9/4.0/3.0
31.15 GHz to 40 GHz (HP 8564E)					2.6/2.4/4.0/3.2
31.15 GHz to 50 GHz (HP 8565E)					3.2/3.0/4.0/4.0

* Operation below 9 kHz requires option 006

** Absolute flatness values referenced to 300 MHz CAL OUT

*** Typical values at 25C

Band Switching Uncertainty

± 1 dB (added to relative frequency response for between-band measurements)

Calibrator Output

300 MHz x (1 \pm frequency reference accuracy*) at -10 dBm ± 0.3 dB

* Frequency reference accuracy = aging x time since last adjustment + initial achievable accuracy + temperature stability

Input Attenuator

Switching Uncertainty (referenced to 10 dB attenuation)

30 Hz to 2.9 GHz for 20 to 70 dB settings of input attenuator:

± 6 dB/10 dB step, 1.8 dB maximum

Repeatability ± 0.1 dB (nominal)

IF Gain Uncertainty

± 1 dB (0 to -80 dBm reference levels with 10 dB input attenuation)

IF Alignment Uncertainty

± 0.5 dB (additional uncertainty only when using 300 Hz RBW)

Resolution Bandwidth Switching Uncertainty

± 0.5 dB (relative to 300 kHz RBW)

Amplitude Specifications, cont'd

Pulse Digitization Uncertainty

(pulse response mode, PRF >720/sweep time)

	Log	Linear
RBW \leq 1 MHz	< 1.25 dB pk-pk	< 4% of ref level
RBW = 2 MHz	< 3 dB pk-pk	< 12% of ref level
Standard Deviation (RBW < 1 MHz)		< 0.2 dB (nominal)

Time-gated Spectrum Analysis

Gate Delay*	Edge Mode	Level Mode
Range	3 μ s to 65.535 ms	\leq 0.5 μ s
Resolution	1 μ s	
Accuracy	\pm 1 μ s	

(From GATE TRIGGER INPUT to positive edge of GATE OUTPUT)

Gate Length

Range	1 μ s to 65.535 ms
Resolution	1 μ s
Accuracy	\pm 1 μ s

(From positive edge to negative edge of GATE OUTPUT)

*Up to 1 μ s jitter due to 1 μ s resolution of gate delay clock

Delayed Sweep

Trigger Modes Free Run, Line, External, Video

Range

Non-Option 007*	+2 μ s to +65.535 ms
Option 007, sweep time < 30 ms	-9.9 ms to +65.535 ms
sweep time \geq 30 ms	+2 μ s to +65.535 ms

Resolution 1 μ s

Accuracy \pm 1 μ s

*Up to 1 μ s jitter due to 1 μ s resolution of gate delay clock

Demodulation

Spectrum Demodulation

Modulation type	AM and FM
Audio output	Speaker and phone jack with volume control
Marker Pause Time	100 ms to 60 s (nominal)

Inputs/Outputs, HP 8560 E-Series

(All values are nominal)

Front Panel Connectors

RF Input

HP 8560E, 8561E, 8562E, 8563E Type N female, 50 Ω
 (Option 026, HP 8563E only) APC 3.5 mm male, 50 Ω
 HP 8564E, 8565E APC 2.4 mm male, 50 Ω

VSWR (≥ 10 dB atten)

30 Hz to 2.9 GHz < 1.5:1 dB

2.9 GHz to 50 GHz < 2.3:1 dB

LO Emission Level

(average w/10 dB atten) ≤ 80 dBm

IF Input

SMA female, 50 Ω

Frequency 310.7 MHz

Full Screen Level -30 dBm

Gain Compression -23 dB

First LO Output SMA female, 50 Ω

Frequency 3.000 - 6.8107 GHz*

Amplitude +16.5 dBm ± 2.0 dB*

* Option 002: 3.9107 to 6.8107 GHz, +14.5 dBm ± 3.0 dB

Cal Output BNC female, 50 Ω

Probe Power +15 Vdc, -12.6 Vdc, and Gnd (150 mA max each)

Rear Panel Connectors

Earphone

Subminiature mono jack, 0.2 W into 4 Ω

10 MHz REF In/Out Shared BNC female, 50 Ω

Output Freq Accuracy $\pm(10$ MHz x freq ref accuracy)

Output Amplitude 0 dBm

Input Amplitude -2 to +10 dBm

Video Output BNC, 50 Ω

Amplitude (RBW ≥ 300 Hz) 0 to +1 V full scale

LO Sweep Frequency Analog Voltage Output

(LO Sweep or V/GHz function selectable from the front panel, BNC female, 120 Ω)

LO Sweep Output 0 to 10 V (no load)

Frequency Analog Voltage Output (internal mixer mode)

Output ramp voltage proportional to start and stop frequencies.

Transfer Function: 0.5 V/GHz.

0.5 V/GHz Output (external mixer mode)

Output ramp voltage proportional to LO frequency: (LO = 3 to 6.8107 GHz).

Transfer Function: (1.5 V/GHz x LO frequency (GHz) -0.2054) ± 50 mV (typ).

Blanking/Gate

Output Shared BNC female, 50 Ω

Blanking Mode

During Sweep Low TTL Level

During Retrace High TTL level

Gate Mode

Gate On High TTL level

Gate Off Low TTL level

External/Gate

Trigger Input Shared BNC female, > 10 k Ω

Settable to high TTL or low TTL

IEEE-488 bus connector

Interface Functions SH1, AH1, T6, L4, LE0, RL1, PP1, DC1, DT1, C1, C28, TE0, SR1

Direct Printer Output Supports HP 3630A PaintJet printer, HP 2225A ThinkJet printer

Direct Plotter Output Supports HP 7225A/7440A/7470A/7475A/7550A

Options

Option 001 Second IF output, HP 8560 Series

(all values are nominal)

3 dB bandwidth NF conversion gain	8560E	8561E	8562E	8563E	8564E, 8565E
30 Hz to 2.9 GHz*	> 25 MHz 24 dB 1.2 dB	> 25 MHz 25 dB -6.5 dB	> 25 dB 20 dB -1.2 dB	> 25 MHz 25 dB -1.2 dB	>25 MHz 28 dB -1.2 dB
2.9 GHz to 6.5 GHz		> 30 MHz 26 dB -1 dB	> 30 MHz 22 dB -3 dB	> 30 MHz 22 dB -1 dB	>30 MHz 23 dB -1 dB
6.5 GHz to 13.2 GHz			> 37 MHz 26 dB -5.7 dB	> 37 MHz 26 dB -5.7 dB	>37 MHz 28 dB -5.7 dB
13.2 GHz to 22 GHz				> 45 MHz 30 dB -8 dB	> 45 MHz 32 dB -8 dB
22 GHz to 26.8 GHz				> 45 MHz 32 dB -8 dB	> 45 MHz 35 dB -8 dB
26.8 GHz to 31.15 GHz					> 25 MHz 28 dB -9 dB
31.15 GHz to 40 GHz					> 25 MHz 38 dB -19 dB
40 GHz to 50 GHz					> 25 MHz 42 dB -23 dB

* DC coupled for frequencies below 100 kHz. Option 006 required for operation below 9 kHz in HP 8563E, 8564E, 8565E.

Options, cont'd

Option 002 Built-in Tracking Generator* (HP 8560E only)

Frequency Specifications

Frequency Range	300 kHz to 2.9 GHz
Accuracy	
After Peaking	$\pm(\text{frequency reference accuracy} \times \text{tuned frequency} + 5\% \times \text{span} + 295 \text{ Hz})$
Tracking Drift (nominal)	Usable in 1 kHz RBW after 5 minutes warm-up, Usable in 300 Hz RBW after 30 minute warm-up.
Minimum RBW	300 Hz**

Amplitude Specifications

Output Level	-10 dBm to +1 dBm
10 dBm to +2.8 dBm (typical)	
Resolution	0.1 dB
Accuracy	
Vernier	$\pm 0.20 \text{ dB/dB}, \pm 0.5 \text{ dBm max } (25 \text{ }^\circ\text{C} \pm 10 \text{ }^\circ\text{C})$
Absolute	$\pm 0.75 \text{ dB}$
Level Flatness	$\pm 2.0 \text{ dB}$
Effective Source Match	1.92:1 (nominal)
Total Absolute Accuracy	$\pm 3.25 \text{ dB}$

Spurious Output (at +1 dBm output power)

Harmonic Spurious	-25 dBc
Non-harmonic Spurious	
300 kHz to 2.0 GHz	-27 dBc
2.0 GHz to 2.9 GHz	-23 dBc
LO Feedthrough	-16 dBm (3.9 GHz to 6.8 GHz)
Residuals (RF-Power-Off)	-78 dBm (300 kHz to 2.9 GHz)

Dynamic Range

TG Feedthrough***	
300 kHz to 1 MHz	-95 dBm
1 MHz to 2.7 GHz	-115 dBm
2.7 GHz to 2.9 GHz	-110 dBm

Dynamic Range****

300 kHz to 1 MHz	96 dB
1 MHz to 2.7 GHz	116 dB
2.7 to 2.9 GHz	111 dB

Power Sweep 10 dB range, 0.1 dB resolution

Inputs/Outputs

RF Output (front panel)	Type-N female, 50 W (nominal)
Maximum Safe Reverse Level	+30 dBm, $\pm 30 \text{ Vdc}$
External ALC Input (rear panel)	BNC female Use with negative detector

* Option 002 deletes millimeter external mixer capability (Second IF input is deleted)

** Tracking generator not useable with resolution bandwidths $\leq 100 \text{ Hz}$

*** Leakage measured with maximum power into 50Ω and with 50 W on RF input

**** Difference between maximum power output and tracking generator feedthrough

Environmental Specifications, HP 8560 E-Series

Per MIL-T-28800, Type III, Class 3*, Style C

*HP 8564E, 8565E: Class 5

Calibration Interval

HP 8560E, 8561E, 8562E, 8563E: 2 years

HP 8564E, 8565E: 1 year

Warm-up Time

5 minutes in ambient conditions

Temperature

-10°C to +55°C (operating);
-51°C to +71°C (not operating)

Humidity

95% @ 40°C for 5 days

Rain Resistance

Drip-proof at 16 liters/hour/sq. ft.

Altitude

15,000 ft. (operating), 50,000 ft. (non-operating)

Pulse Shock (half sine)

30g for 11ms duration

Transit Drop

8-inch drop on six faces and eight corners

Electromagnetic Compatibility:

Conducted and radiated interference in compliance with CISPR Pub. 11 (1990). Meets Mil-STD-461C, part 2, with certain exceptions.

Power Requirements:

115 VAC operation: 90 to 140 V rms,
3.2 A rms max, 47 to 440 Hz 230 VAC operation:
180 to 250 V rms, 1.8 A rms max, 47 to 66 Hz

Maximum Power Dissipation

HP 8560E, 8561E, 8562E, 8563E 180 W

HP 8564E, 8565E: 260 W

Audible Noise (nominal):

< 5.0 Bels power at room temp (ISO DP7779)

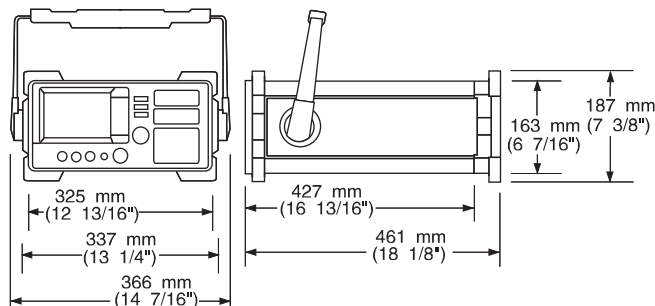
Dimensions (w/o handle, cover):

337 mm W x 187 mm H x 461 mm D

Weight (nominal)

HP 8560E, 8561E, 8562E, 8563E: 20 kg (44 lbs)

HP 8564E, 8565E: 21 kg (46 lbs)



For more information about Hewlett-Packard test and measurement products, applications, services, and for a current sales office listing, visit our web site, <http://www.hp.com/go/tmdir>. You can also contact one of the following centers and ask for a test and measurement sales representative.

United States:

Hewlett-Packard Company
Test and Measurement Call Center
P.O. Box 4026
Englewood, CO 80155-4026
1 800 452 4844

Canada:

Hewlett-Packard Canada Ltd.
5150 Spectrum Way
Mississauga, Ontario
L4W 5G1
(905) 206 4725

Europe:

Hewlett-Packard
European Marketing Centre
P.O. Box 999
1180 AZ Amstelveen
The Netherlands
(31 20) 547 9900

Japan:

Hewlett-Packard Japan Ltd.
Measurement Assistance Center
9-1, Takakura-Cho, Hachioji-Shi,
Tokyo 192, Japan
Tel: (81-426) 56-7832
Fax: (81-426) 56-7840

Latin America:

Hewlett-Packard
Latin American Region Headquarters
5200 Blue Lagoon Drive, 9th Floor
Miami, Florida 33126, U.S.A.
(305) 267 4245/4220

Australia/New Zealand:

Hewlett-Packard Australia Ltd.
31-41 Joseph Street
Blackburn, Victoria 3130, Australia
1 800 629 485

Asia Pacific:

Hewlett-Packard Asia Pacific Ltd.
17-21/F Shell Tower, Times Square,
1 Matheson Street, Causeway Bay,
Hong Kong
Tel: (852) 2599 7777
Fax: (852) 2506 9285

**Data Subject to Change
Copyright © 1998
Hewlett-Packard Company
Printed in U.S.A. 10/98
5965-8078E**